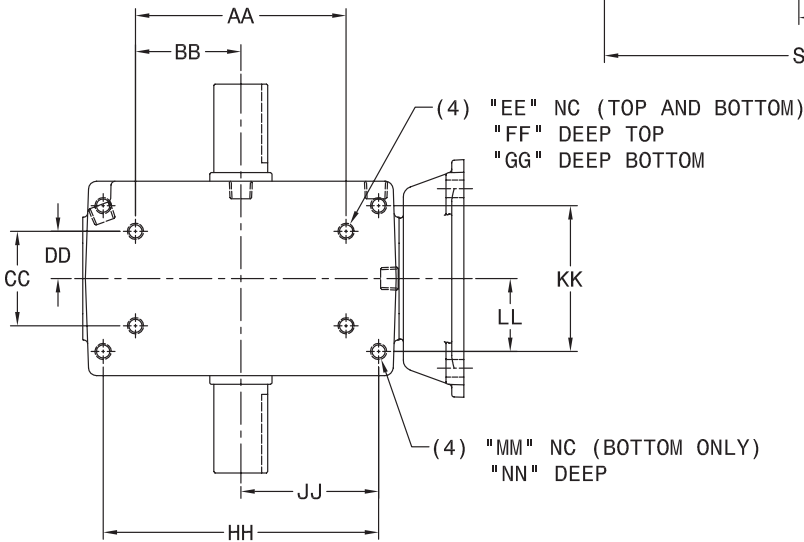
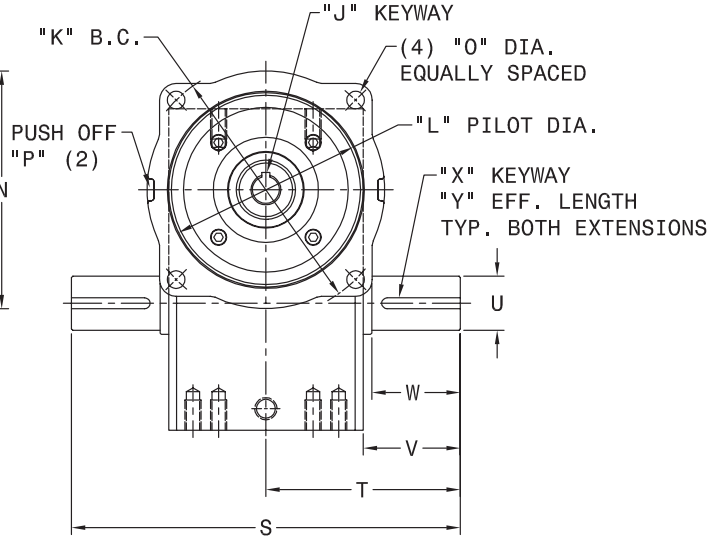
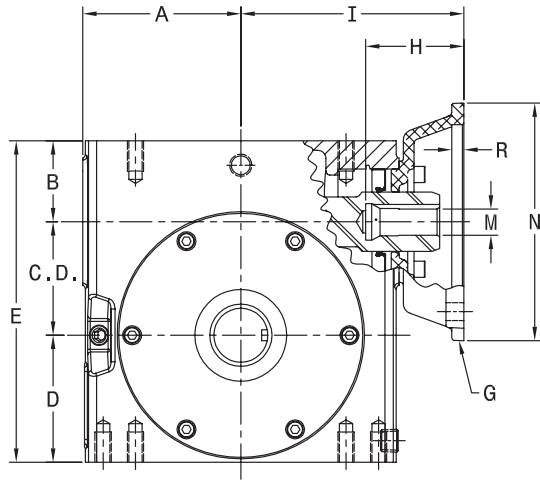




MODELS

134, 184, 214, 244, 264, 324, 384, 454, 524

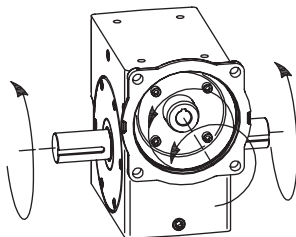


SPECIAL, 48C, METRIC AND SAE HYDRAULIC INPUT FLANGES AVAILABLE. CONSULT FACTORY FOR COMPLETE SPECIFICATIONS.

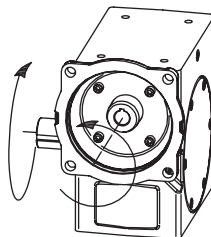
FOR LUBRICATION AND INSTALLATION INSTRUCTIONS - REFER TO SECTION R

STANDARD STYLES AVAILABLE

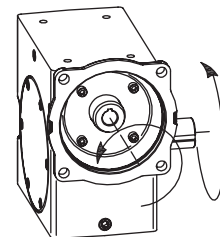
DIMENSIONS SHOWN ARE FOR REFERENCE ONLY. DOWNLOAD AVAILABLE CAD MODELS AT: WWW.HUBCITYINC.COM



STYLE "A"



STYLE "B"



STYLE "C"

CONSULT FACTORY FOR VERTICAL SHAFT LUBRICATION RECOMMENDATIONS
INPUT SHAFT CAN BE ROTATED IN EITHER DIRECTION



MODELS

134, 184, 214, 244, 264, 324, 384, 454, 524

B

SINGLE REDUCTION

MODEL	C.D.	A	B	D	E	G	H	I	J	K	L	M	N	O	P	R					
134	1.334	2.28	1.186	1.562	4.082	56C	2.27	3.63	3/16 X 3/32	5.875	4.501/4.503	0.625	5.50	13/32	SLOTS	.19					
184	1.751	2.65	1.374	1.875	5.000	56C	2.27	4.00	3/16 X 3/32	5.875	4.501/4.503	0.625	5.50	13/32	SLOTS	.19					
214	2.064	3.00	1.500	2.437	6.000	56C	2.27	4.50	3/16 X 3/32	5.875	4.501/4.503	0.625	5.50	13/32	SLOTS	.19					
244	2.376	3.38	2.062	2.500	6.938	143TC	2.38	4.88	3/16 X 3/32	5.875	4.501/4.503	0.625	5.50	13/32	SLOTS	.19					
						182TC	3.19					5.72					1/4 X 1/8	7.250	8.501/8.504	1.125	
264	2.626	3.66	1.874	2.938	7.438	56C	2.27	5.16	3/16 X 3/32	5.875	4.501/4.503	0.625	5.50	13/32	SLOTS	.19					
						143TC	2.38					5.16					3/16 X 3/32	5.875	4.501/4.503	0.875	
324	3.251	4.40	2.124	3.250	8.625	182TC	3.19	6.00	1/4 X 1/8	7.250	8.501/8.504	1.125	9.00	17/32	HOLES	.44					
						56C	2.27	6.00	3/16 X 3/32	5.875	4.501/4.503	0.625	5.50	13/32	SLOTS	.19					
						143TC	2.38					182TC					3.19	6.38	1/4 X 1/8	7.250	8.501/8.504
384	3.751	4.90	2.374	3.937	10.062	56C	2.27	6.50	3/16 X 3/32	5.875	4.501/4.503	0.625	5.50	13/32	SLOTS	.19					
						143TC	2.38					182TC					3.19	6.88	1/4 X 1/8	7.250	8.501/8.504
454	4.501	5.67	2.499	4.625	11.625	56C	2.25	6.75	3/16 X 3/32	5.875	4.501/4.503	0.625	6.50	13/32	SLOTS	.44					
						143TC	2.25					182TC					3.19	1/4 X 1/8	7.250	8.501/8.504	1.125
						213TC	3.50					5/16 X 5/32					7.250	8.501/8.504	1.375	9.00	17/32
524*	5.168	6.42	2.624	5.375	13.167	182TC	3.19	7.50	1/4 X 1/8	7.250	8.501/8.504	1.125	9.00	17/32	HOLES	.44					
						213TC	3.50					5/16 X 5/32					7.250	8.501/8.504	1.375		

* 56C & 143TC FLANGES AVAILABLE AS MODIFIED STANDARDS

MODEL	S	T	U	V	W	X	Y	AA	BB	CC	DD
134	6.50	3.25	.625/.624	1.69	N/A	3/16 X 3/32	1.38	2.250	1.125	1.625	.812
184	7.00	3.50	.750/.749	1.78	1.54	3/16 X 3/32	1.41	3.125	1.562	1.625	.812
214	8.50	4.25	.875/.874	2.19	1.95	3/16 X 3/32	1.83	4.000	2.000	2.000	1.000
244	9.00	4.50	1.125/1.124	2.31	2.06	1/4 X 1/8	1.74	5.000	2.500	2.875	1.438
264	9.00	4.50	1.250/1.249	2.25	N/A	1/4 X 1/8	1.85	4.875	2.437	2.688	1.344
324	10.88	5.44	1.375/1.374	2.84	N/A	5/16 X 5/32	2.31	6.250	3.125	2.750	1.375
384	13.38	6.69	1.500/1.499	3.88	N/A	3/8 X 3/16	3.16	6.875	3.438	3.000	1.500
454**	14.50	7.25	1.625/1.624	4.18	3.90	3/8 X 3/16	3.28	8.125	4.063	3.250	1.625
524***	15.62	7.81	1.750/1.749	4.47	4.17	3/8 X 3/16	3.50	9.500	4.750	3.750	1.875

** ALSO AVAILABLE WITH 1.750/1.749 (M) DIAMETER OUTPUT SHAFT. CONSULT FACTORY.

*** ALSO AVAILABLE WITH 2.000/1.999 (M) DIAMETER OUTPUT SHAFT. CONSULT FACTORY.

MODEL	EE	FF	GG	HH	JJ	KK	LL	MM	NN	WT. LBS.
134	1/4 UNC	.50	.50	3.250	1.625	2.000	1.000	5/16 NC	.75	11
184	1/4 UNC	.50	.50	4.188	2.094	2.750	1.375	5/16 NC	.75	16
214	3/8 UNC	.50	.75	5.000	2.500	2.875	1.438	3/8 NC	.70	25
244	3/8 UNC	.70	.70	N/A	M/A	N/A	N/A	N/A	N/A	33
264	3/8 UNC	.70	.70	6.375	3.188	3.375	1.688	3/8 NC	.70	38
324	1/2 UNC	.75	.90	7.500	3.750	4.000	2.000	7/16 NC	.88	64
384	1/2 UNC	.94	1.00	8.500	4.250	4.750	2.375	1/2 NC	1.00	90
454	5/8 UNC	.88	1.13	N/A	M/A	N/A	N/A	N/A	N/A	112
524	5/8 UNC	1.00	1.25	N/A	M/A	N/A	N/A	N/A	N/A	138